


Addendum #1

Date:	04/19/2019	
Project Name:	Molalla Shops Facility Building & Offices	
Project Address:	920 Toliver Road Molalla, OR 97038	

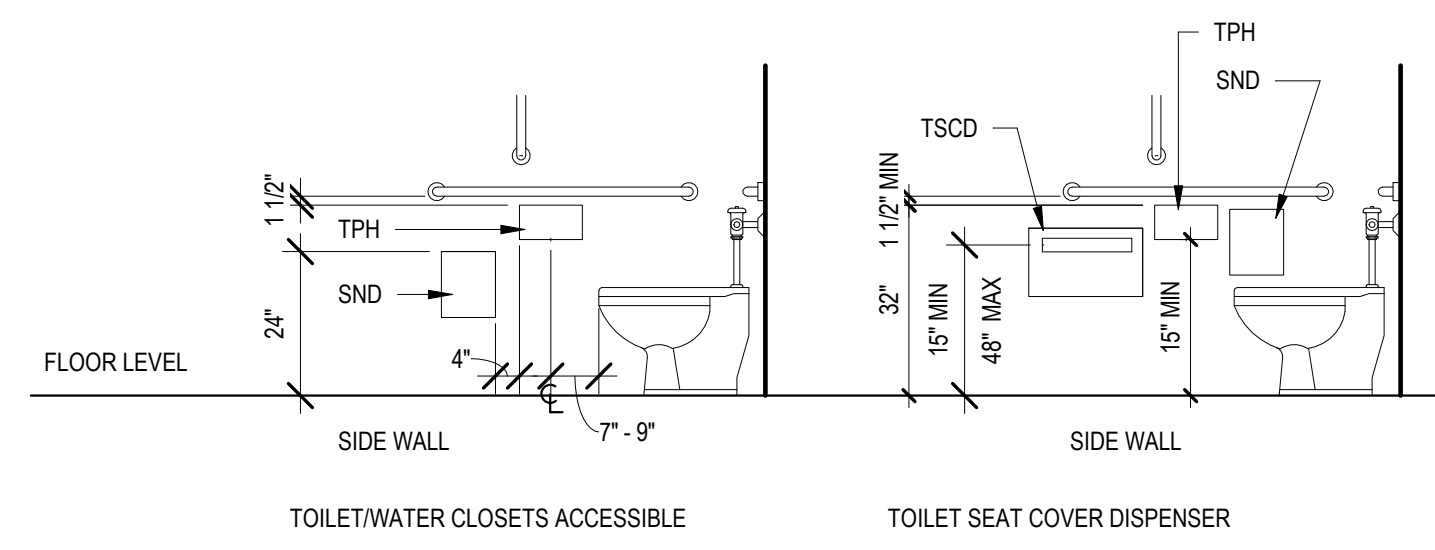
Note: This addendum forms a part of the Contract Documents and modifies the original documents for the project.

Revised Items are as follows:

1. Cabinetry callouts on Interior Elevation 5c on Sheet A7.00 have been corrected.
2. Dimensions to centerline of water closet have been corrected in Accessibility Detail 1 on Sheet A0.03.
3. Dimensions of "Van Accessible" sign has been corrected in Detail 2 on Sheet A1.00.

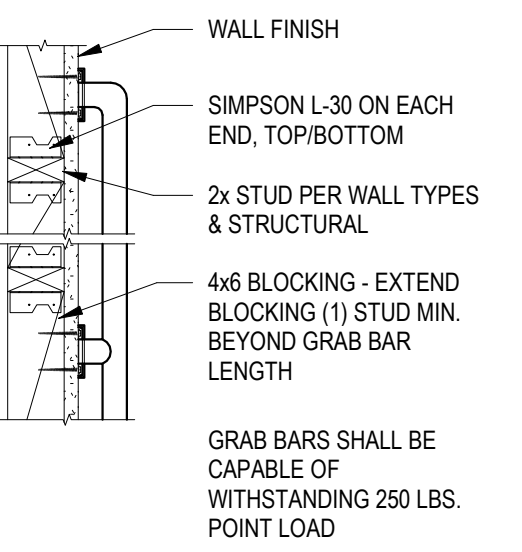
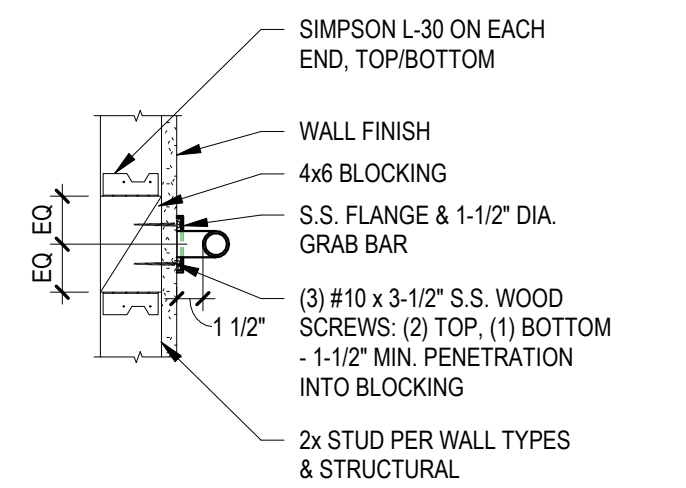
SHEETS REISSUED: A7.00, A0.03 and A1.00

End of Addendum #1

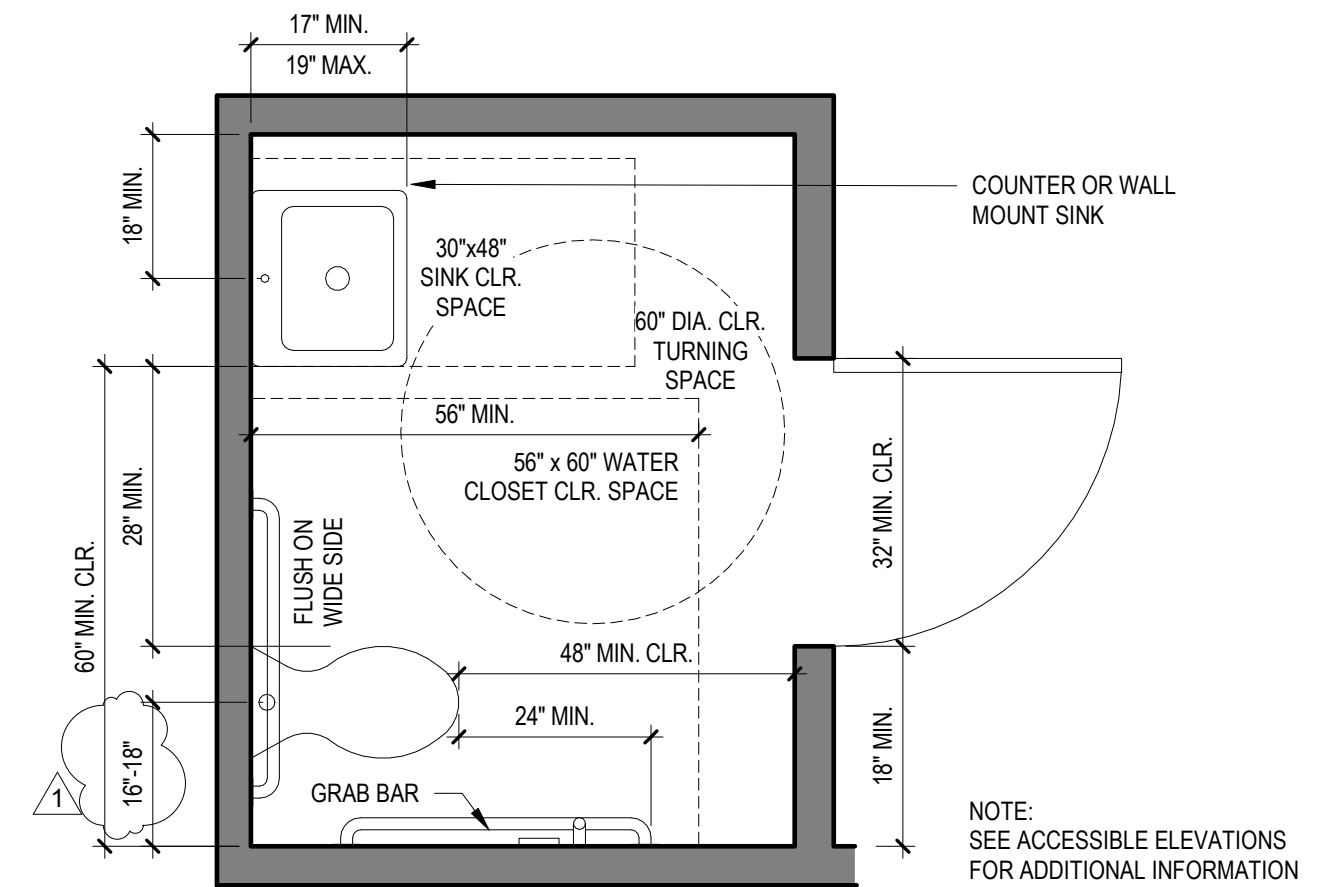


- NOTES:**
- SND - SANITARY NAPKIN DISPOSAL. PROVIDE AT UNISEX, & WOMEN'S BATHROOMS ONLY. MOUNT BELOW GRAB BARS WITH OPERABLE PORTION AT 15" MIN AFL, AND WITHIN REACH WHILE SITTING. TPH - TOILET PAPER HOLDER. LOCATE 7" MIN - 9" MAX FROM FRONT OF TOILET. MOUNTING HEIGHT AT OPERABLE PORTION OF TPH 15" MIN - 48" MAX AFL.
 - GB - GRAB BARS. AT NON-ACCESSIBLE WATER CLOSETS OMIT GRAB BARS.
 - FLUSH VALVE/CONTROL. MUST BE LOCATED ON THE OUTSIDE OR WIDE SIDE OF THE TOILET.
 - GB BLKG TO BE DESIGNED FOR 250 LB LAT. AND DEAD LOADS.

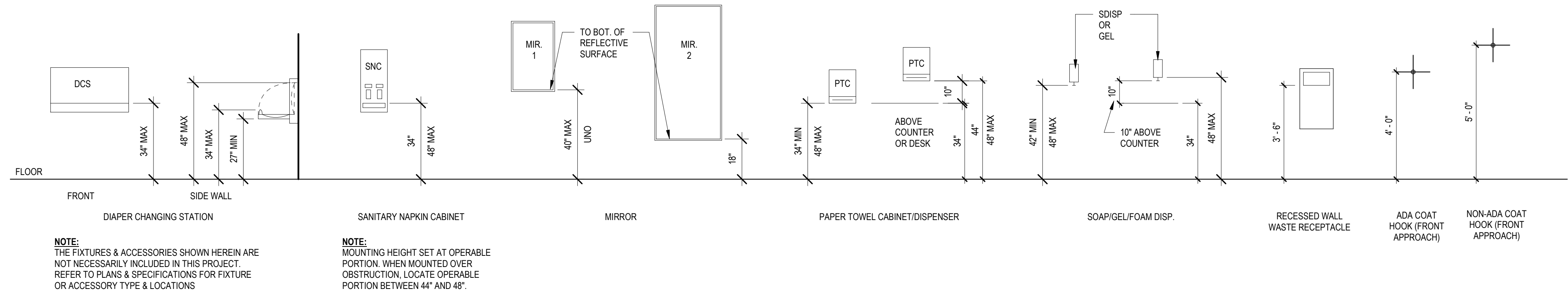
3 ADA ACCESSORY TOILET MOUNTING HEIGHT
3/8" = 1'-0"



2 GRAB BAR BLOCKING
1" = 1'-0"

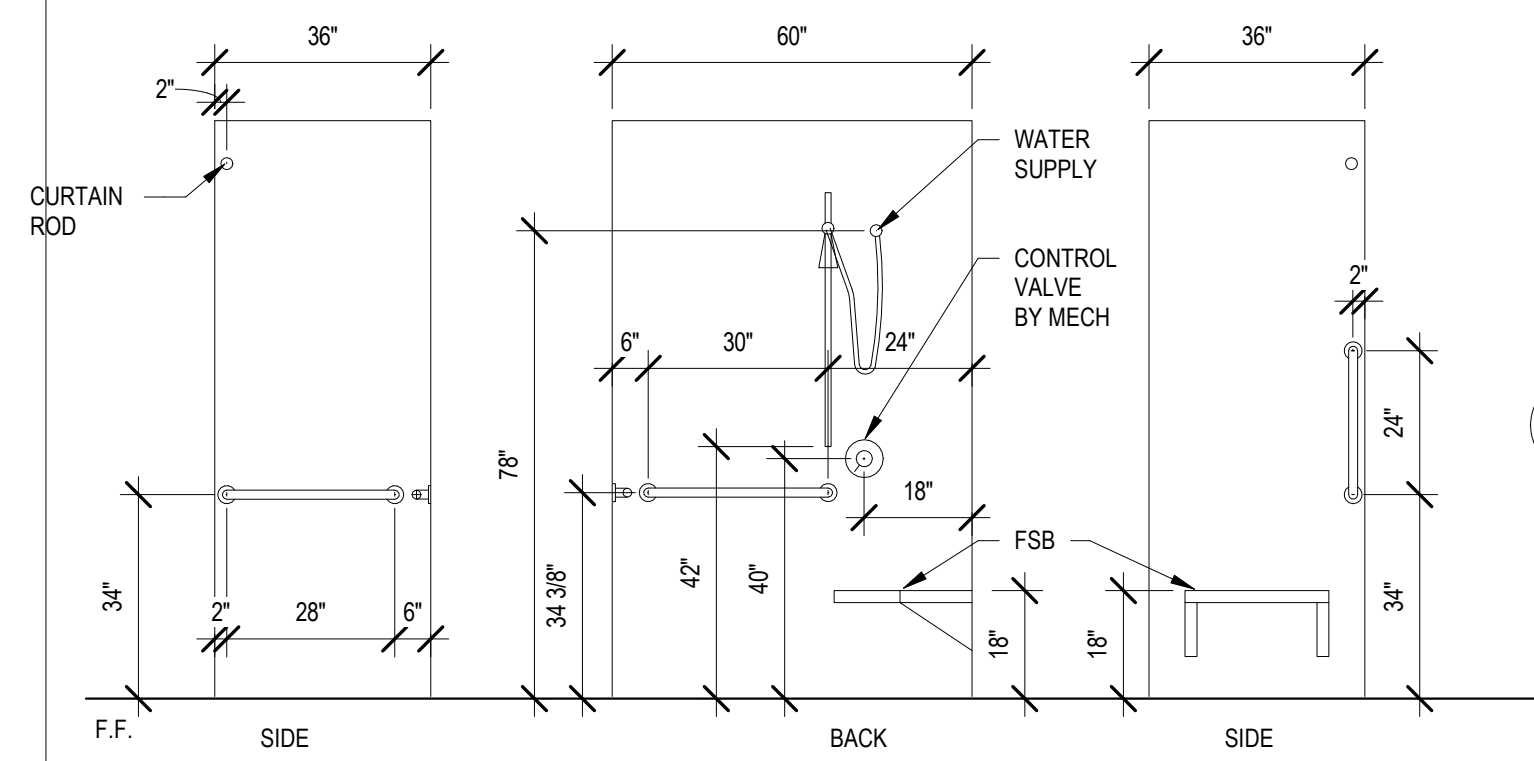


1 ACCESSIBLE TOILET DIAGRAM
1/2" = 1'-0"



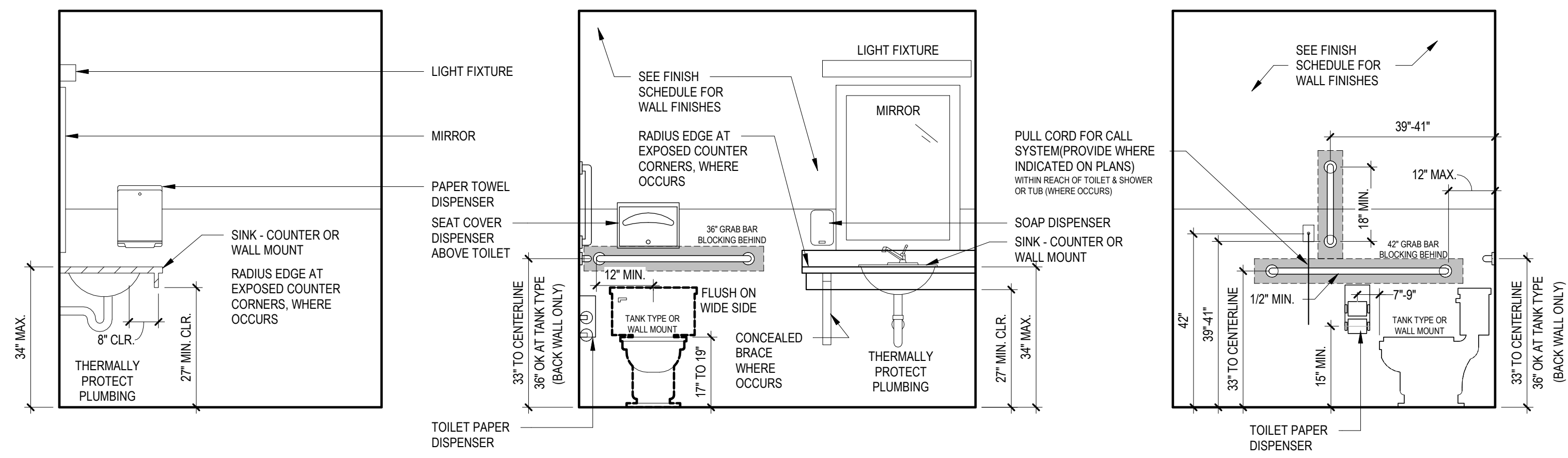
- NOTE:** THE FIXTURES & ACCESSORIES SHOWN HEREIN ARE NOT NECESSARILY INCLUDED IN THIS PROJECT. REFER TO PLANS & SPECIFICATIONS FOR FIXTURE OR ACCESSORY TYPE & LOCATIONS
- NOTE:** MOUNTING HEIGHT SET AT OPERABLE PORTION. WHEN MOUNTED OVER OBSTRUCTION, LOCATE OPERABLE PORTION BETWEEN 44" AND 48".

4 ADA BATHROOM MOUNTING HEIGHTS
3/8" = 1'-0"



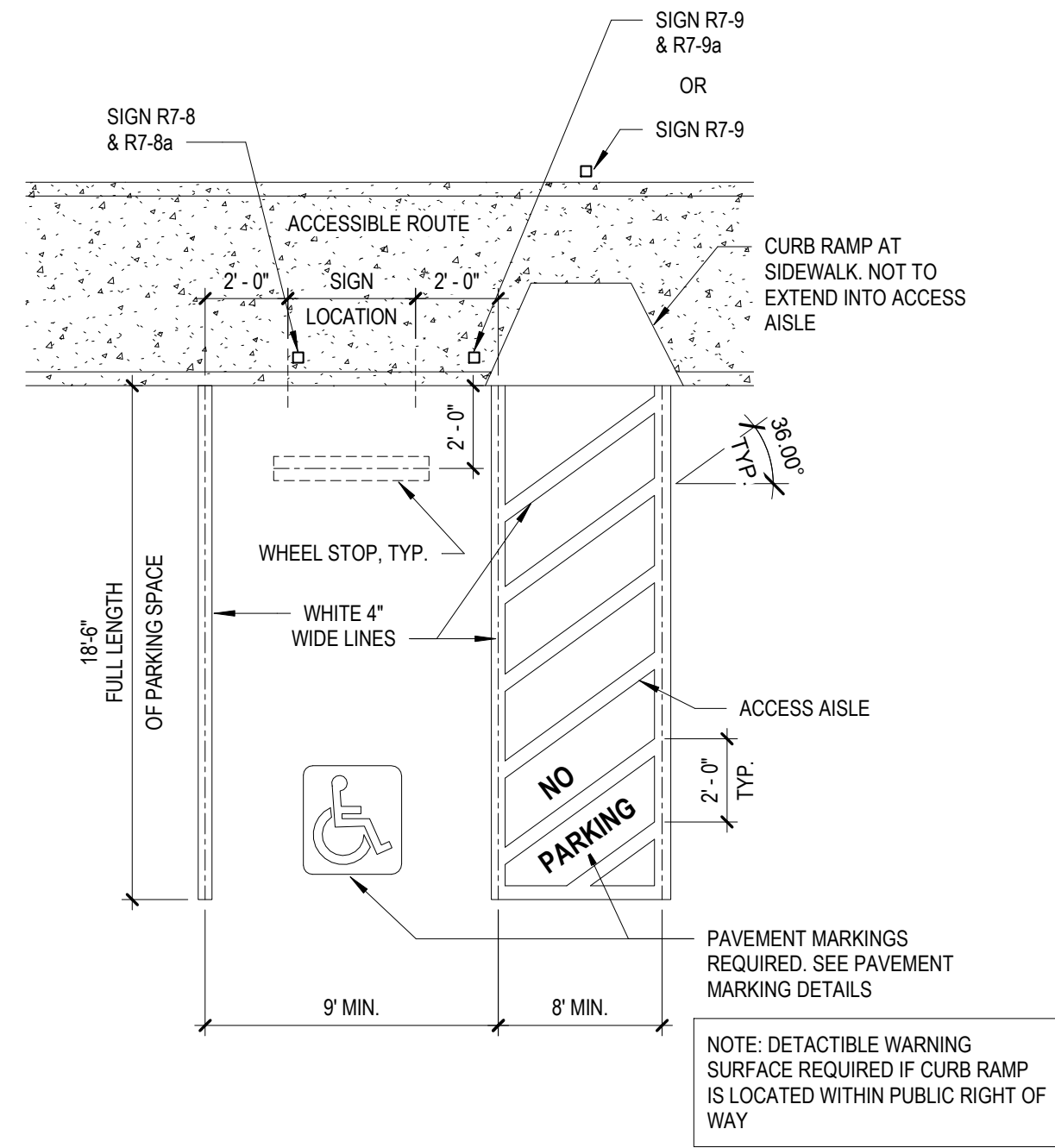
- NOTES:**
- 36" X 60" CLEAR ACCESSIBLE STANDARD ROLL IN SHOWER. DIMENSIONS ARE MINIMUM CLEAR INSIDE INCLUDING FINISHES.
 - PROVIDE HAND HELD SHOWER WITH SLIDE BAR, ADJUSTABLE MECHANISM AND BE OPERABLE WITH ONE HAND WITHOUT TIGHT GRASPING OR TWISTING OF THE WRIST. MAX. 5 LB FORCE TO OPERATE.
 - GB BLKG TO BE DESIGNED FOR 250 LB LAT. AND DEAD LOADS.
 - HAND HELD SHOWER MUST HAVE A NON-POSITIVE SHUT OFF AND A HOSE THAT IS 59" LONG MIN. SOAP DISHES/NICHES TO BE INSTALLED ON THE SAME WALL AS THE SHOWER HEAD AND CONTROLS, WHERE THEY ARE LEAST LIKELY TO GET STANDING WATER. MOUNT BETWEEN 38"-48" AFL. USED RECESSED NICHE WHERE POSSIBLE.
 - ADDITIONAL CLEARANCE FOR TRANSFER TYPE SHOWER

6 ADA ROLL-IN SHOWER
3/8" = 1'-0"

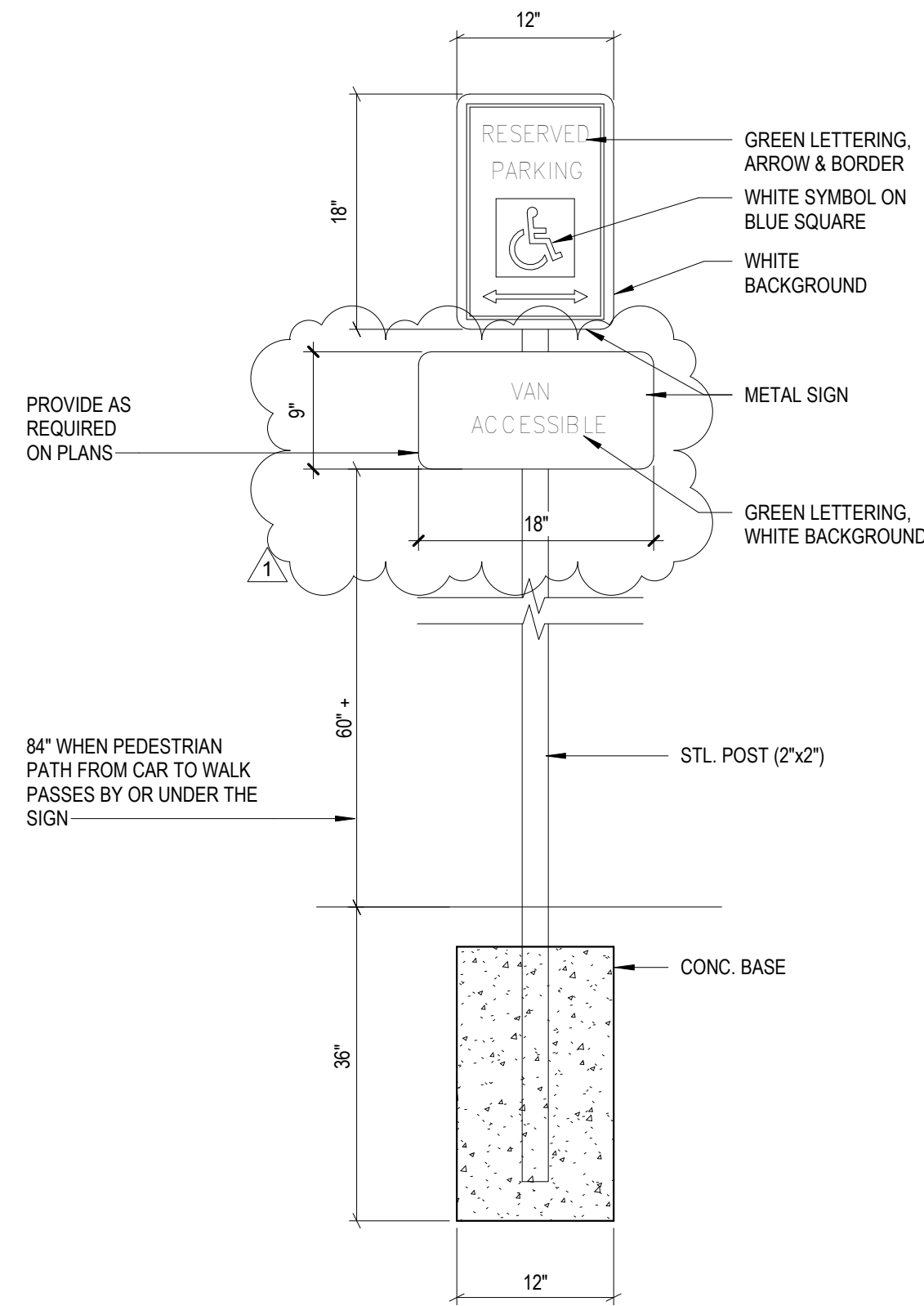


- NOTES:**
- CONTRACTOR TO PROVIDE SOLID BLOCKING AS REQUIRED TO SPAN BETWEEN EACH VERTICAL WALL STUD TO SECURELY INSTALL ALL NECESSARY GRAB BARS & OTHER FIXTURES AS REQUIRED.
 - FLOOR - SHALL HAVE SMOOTH, HARD NON-ABSORBENT SURFACE THAT EXTENDS UPWARD ONTO WALLS AT LEAST 6 INCHES. SEE FINISH SCHEDULE.
 - WALLS - SHALL WITHIN 2'-0" OF URINALS & WATER CLOSETS HAVE A SMOOTH, HARD, NON-ABSORBENT SURFACE TO A HEIGHT OF 4'-0" A.F.F. OTHER THAN STRUCTURAL ELEMENTS, MATERIALS USED IN SUCH WALLS SHALL BE OF A TYPE NOT ADVERSELY AFFECTED BY MOISTURE.
 - BATHROOM ACCESSORIES SHALL BE INSTALLED & SEALED TO PROTECT STRUCTURAL ELEMENTS FROM MOISTURE. INSTALL PER ACCESSORY MOUNTING HEIGHT DETAIL, THIS SHEET.
 - GRAB BARS SHALL BE CAPABLE OF WITHSTANDING A 250 LBS. LOAD AT ANY POINT, IN ANY DIRECTION.
- CONTRACTOR'S OPTION (GRAB BARS):**
A) 36" REAR GRAB BAR (30" AT NON-ACCESSIBLE LOCATIONS, WHERE INDICATED) & 42" SIDE GRAB AS SHOWN
B) SINGLE "L-SHAPED" GRAB BAR MEETING DIMENSION & MOUNTING REQUIREMENTS
NOTE: REAR GRAB BAR CAN BE MOUNTED AT 36" A.F.F. AT TANK TYPE TOILETS; "L-SHAPED" GRAB BAR CAN ONLY BE MOUNTED AT 33" MAX. A.F.F., SO COORDINATE WITH TOILET TYPE IF SELECTED

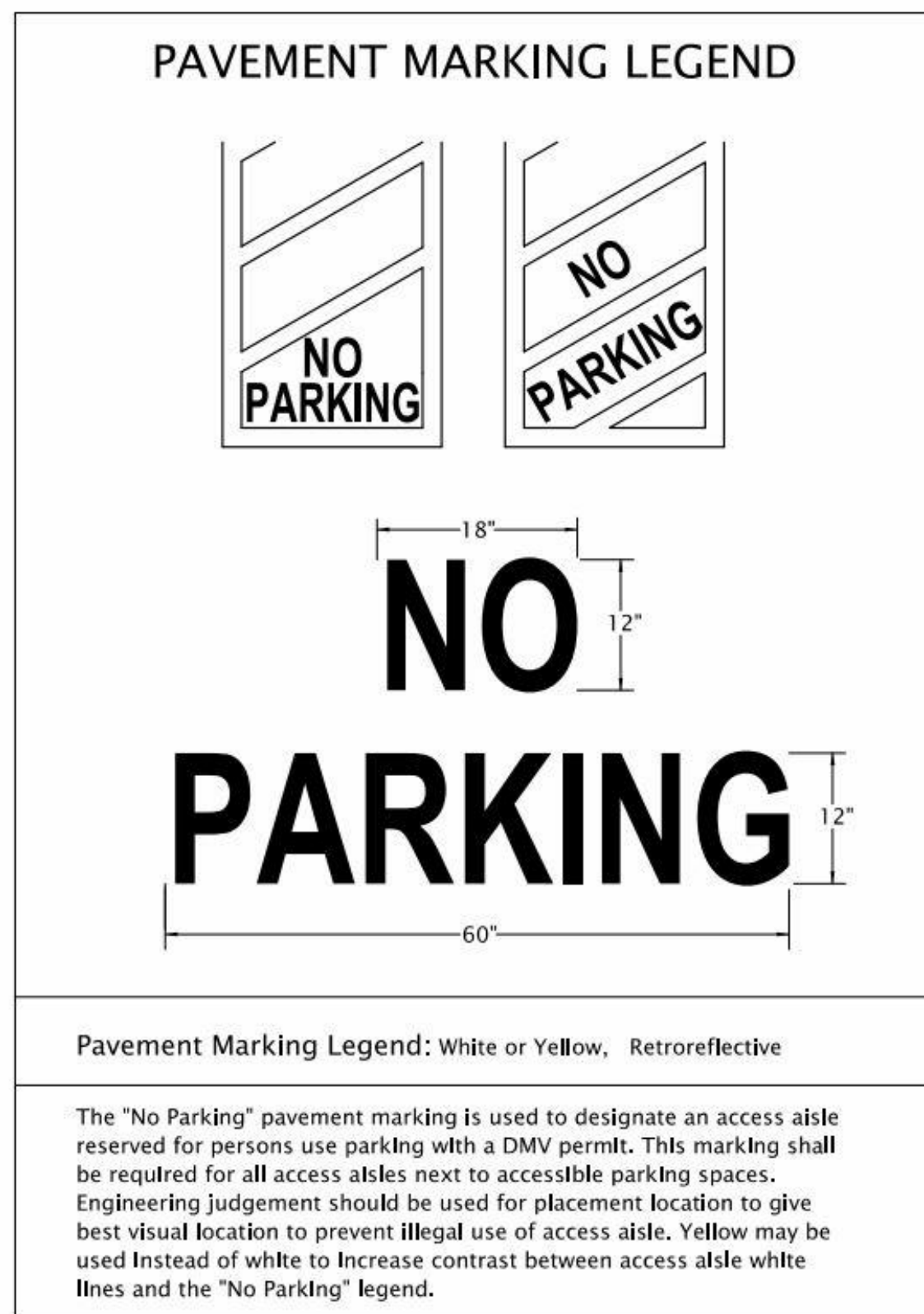
5 TYPICAL ACCESSIBLE ELEVATIONS
1/2" = 1'-0"



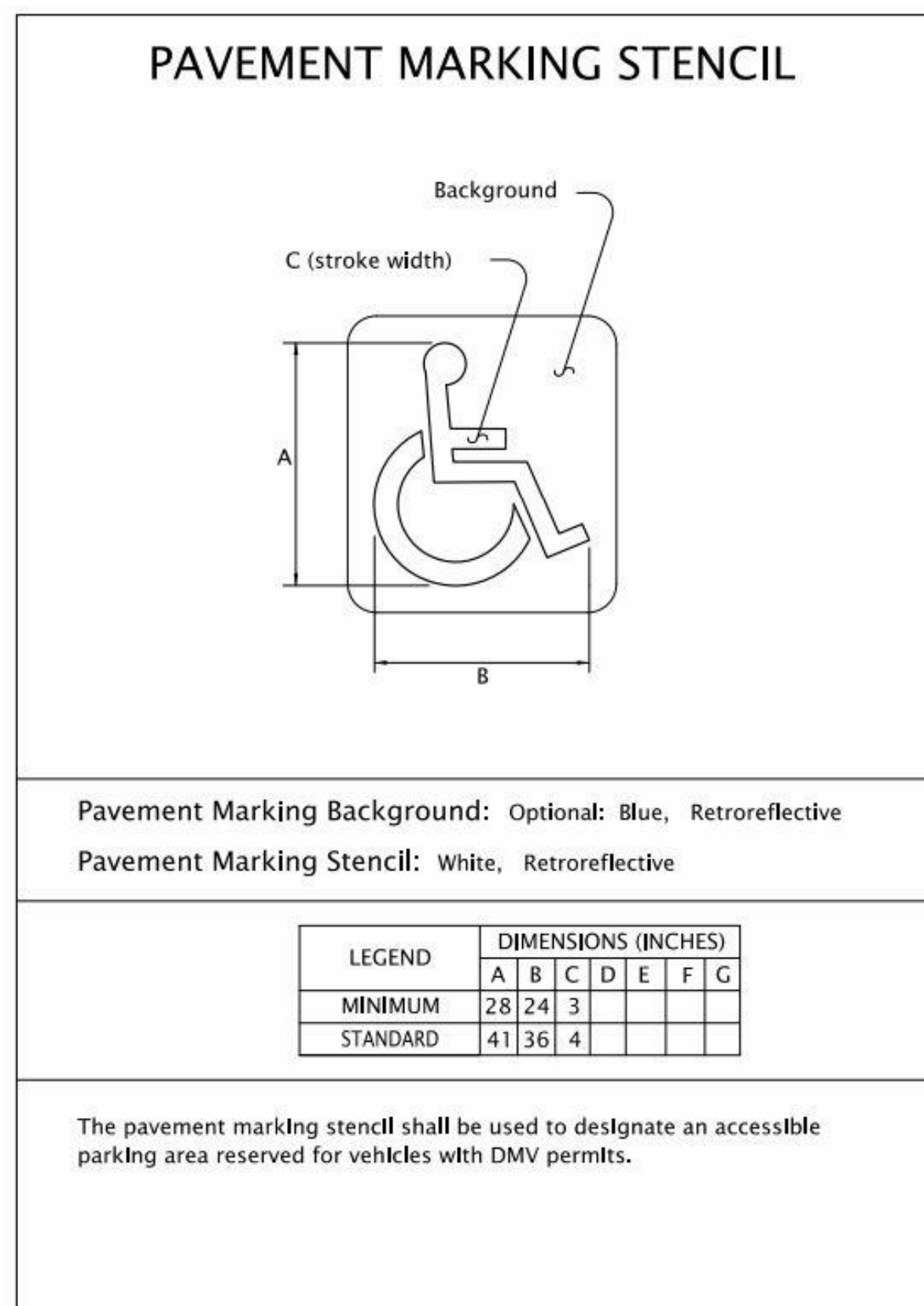
4 MINIMUM STANDARD SINGLE-ACCESSIBLE PARKING SPACE (VAN DESIGNATION)



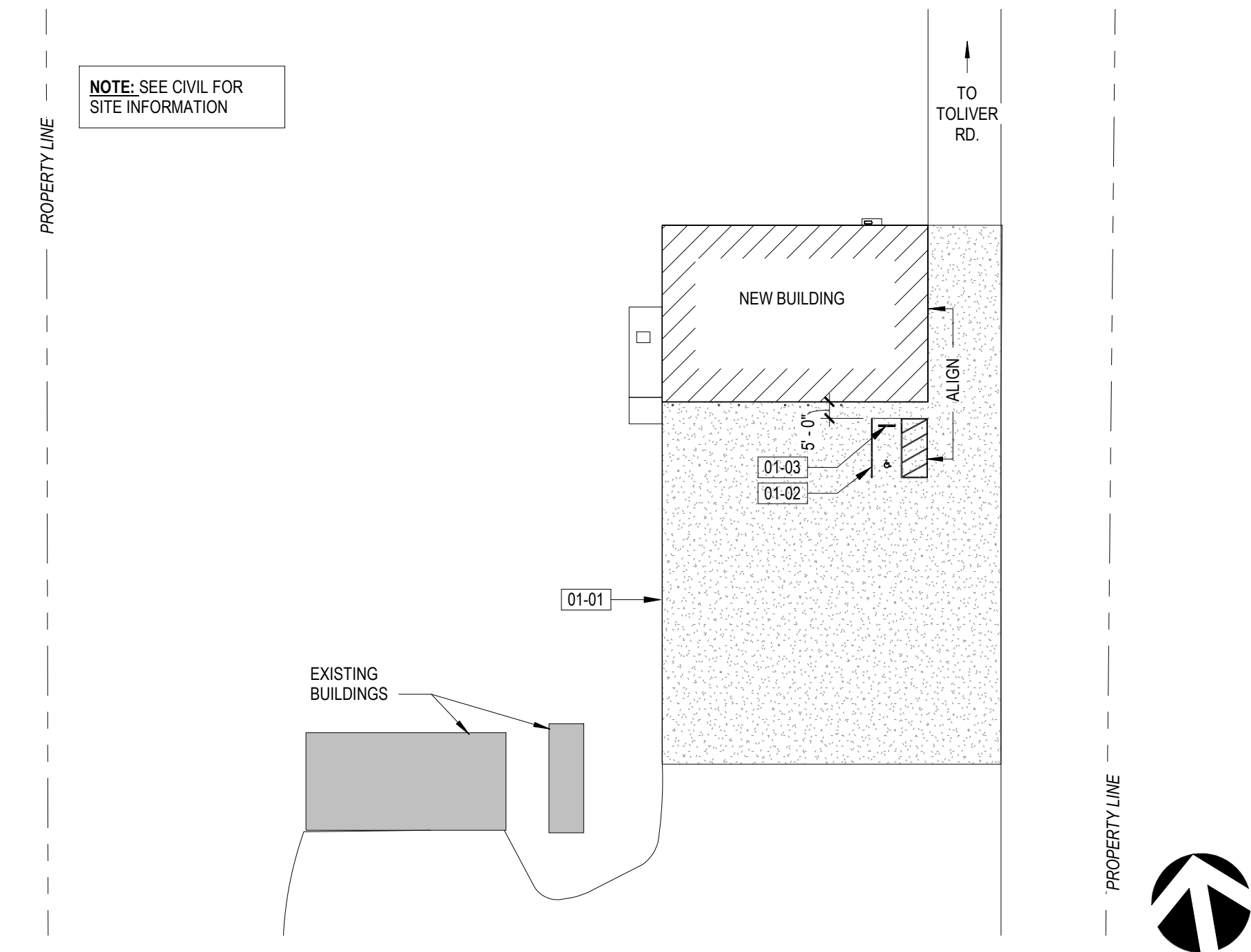
2 ADA PARKING SIGNAGE DETAILS
1" = 1'-0"



5 NO PARKING PAVEMENT MARKING

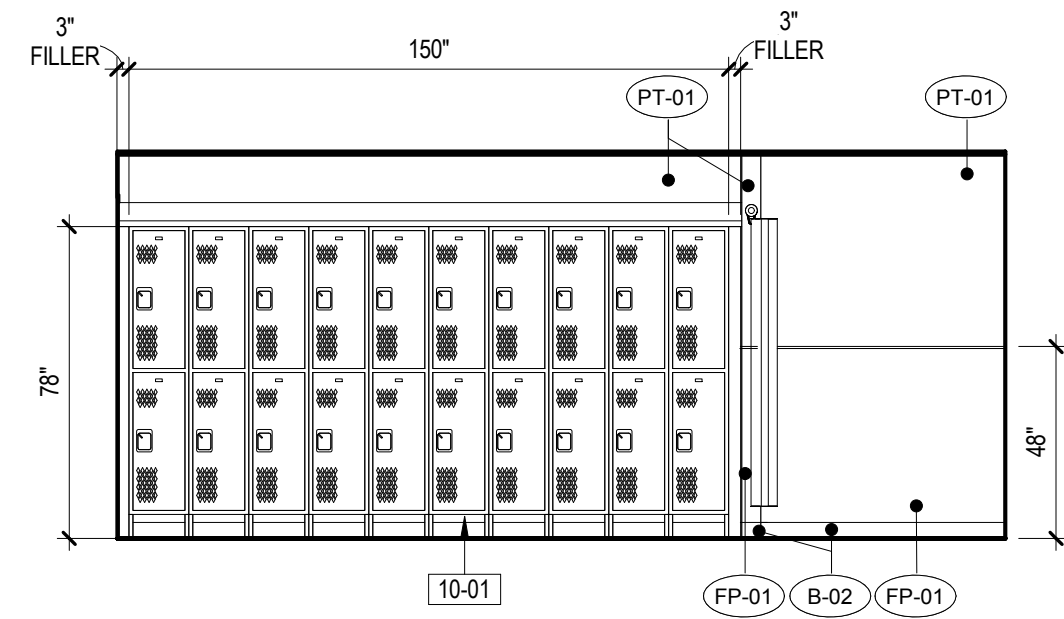


3 ADA PARKING SYMBOL
3/4" = 1'-0"

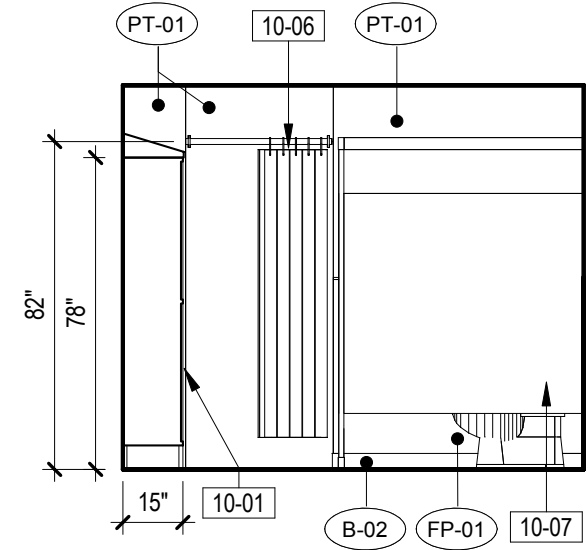


1 SITE
1" = 40'-0"

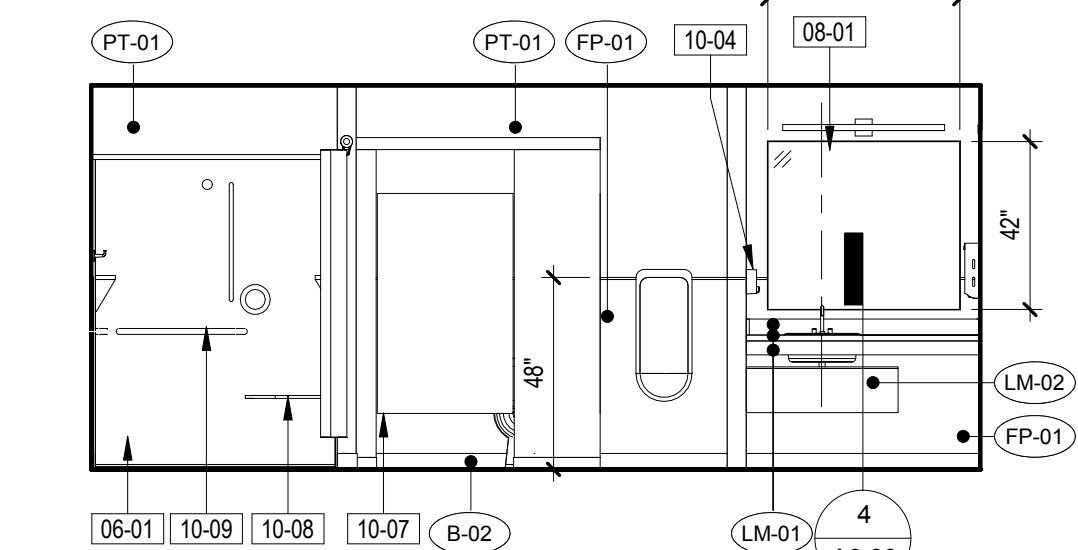
KEYNOTE LEGEND	
#	Keynote Description
01-01	(N) ASPHALT PER CIVIL
01-02	VAN ACCESSIBLE ADA PARKING SPACE
01-03	WHEEL STOP



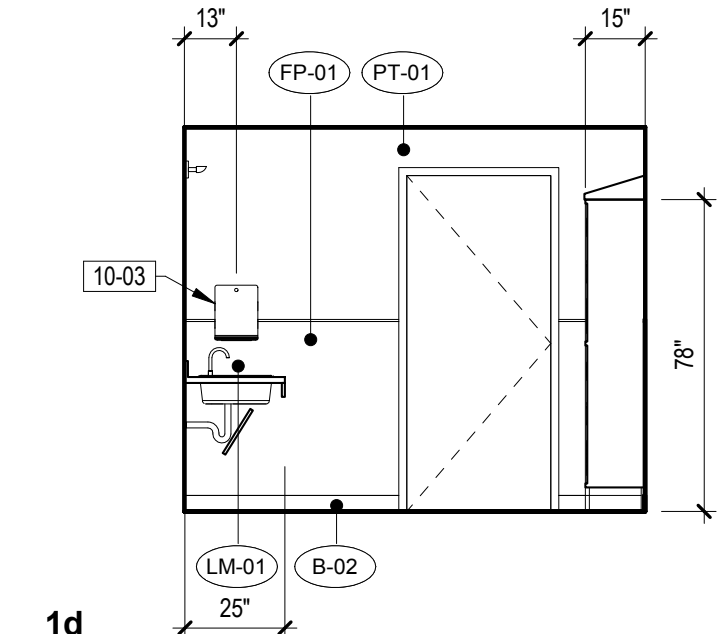
1a



1b



1c

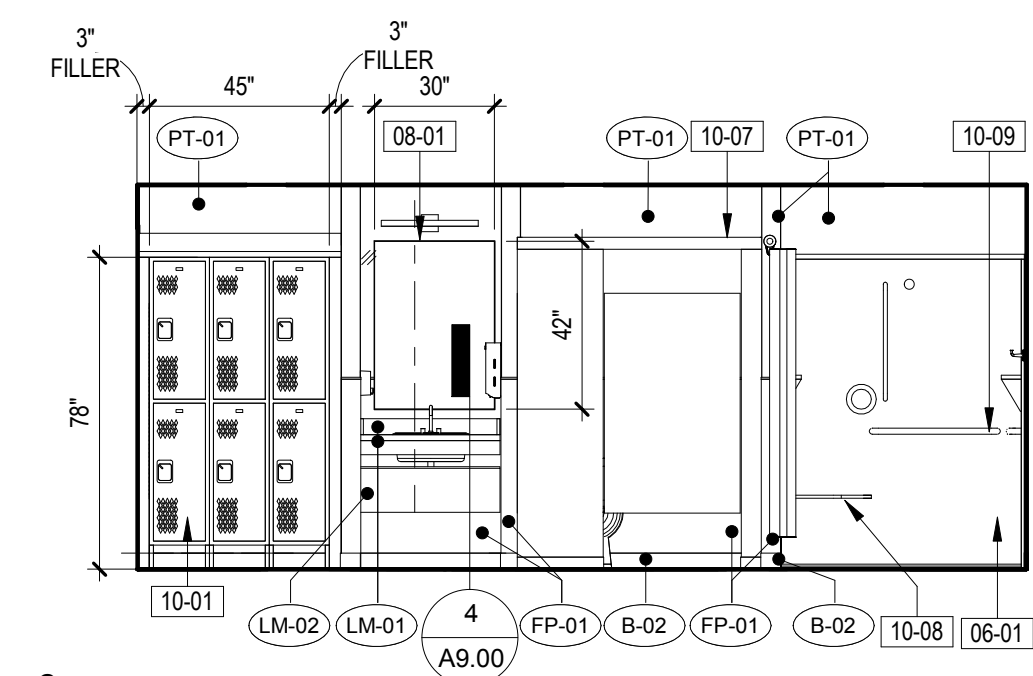


1d

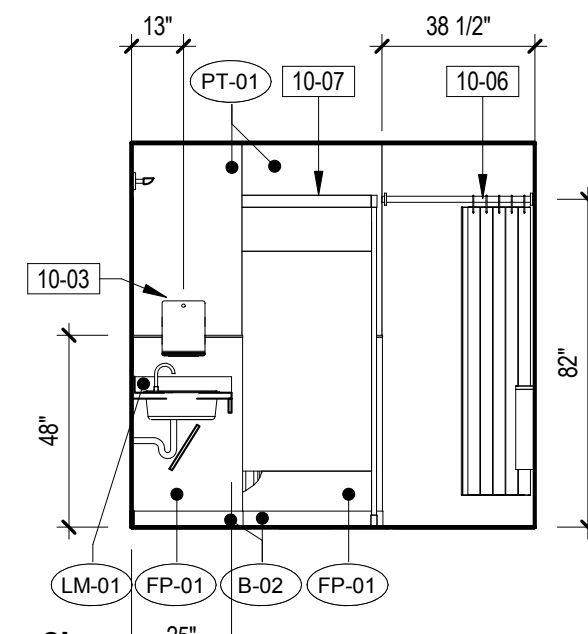
KEYNOTE LEGEND	
#	Keynote Description
06-01	SOLID SURFACING SHOWER BASE & SURROUND PER SPECIFICATIONS
08-01	MIRROR
10-01	METAL LOCKERS & HOOD PER SPECIFICATIONS.
10-02	ROBE HOOK PER SPECIFICATIONS.
10-03	PAPER TOWEL DISPENSER PER SPECIFICATIONS. SEE ACCESSIBILITY DETAILS FOR REQUIRED HEIGHT.
10-04	SOAP DISPENSER PER SPECIFICATIONS. SEE ACCESSIBILITY DETAILS FOR REQUIRED HEIGHT.
10-06	SHOWER CURTAIN & ROD PER SPECIFICATIONS.
10-07	TOILET PARTITIONS PER SPECIFICATIONS. PROVIDE ADA GRAB BARS AND TOILET PAPER DISPENSER PER SPECIFICATIONS. SEE ACCESSIBILITY DETAILS FOR LOCATIONS.
10-08	ADA COMPLIANT SHOWER SEAT PER SPECIFICATIONS. SEE ACCESSIBILITY DETAILS FOR LOCATIONS.
10-09	ADA COMPLIANT GRAB BARS PER SPECIFICATIONS. SEE ACCESSIBILITY DETAILS FOR PLACEMENT REQUIREMENTS.
10-11	RECESSED OPEN TOP TRASH RECEPTACLE
12-01	WALL MOUNTED WHITE BOARD

1 MEN'S RESTROOM- ELEVATIONS

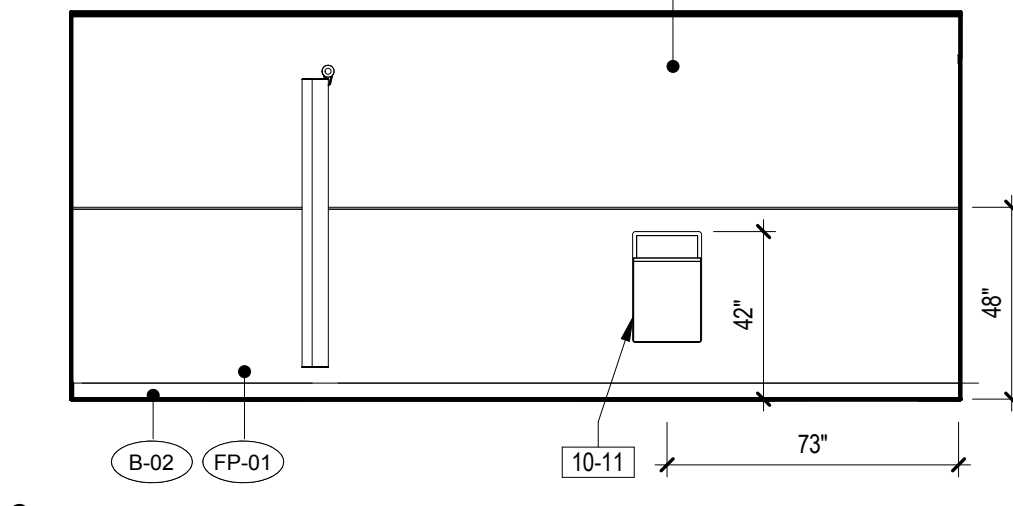
1/4" = 1'-0"



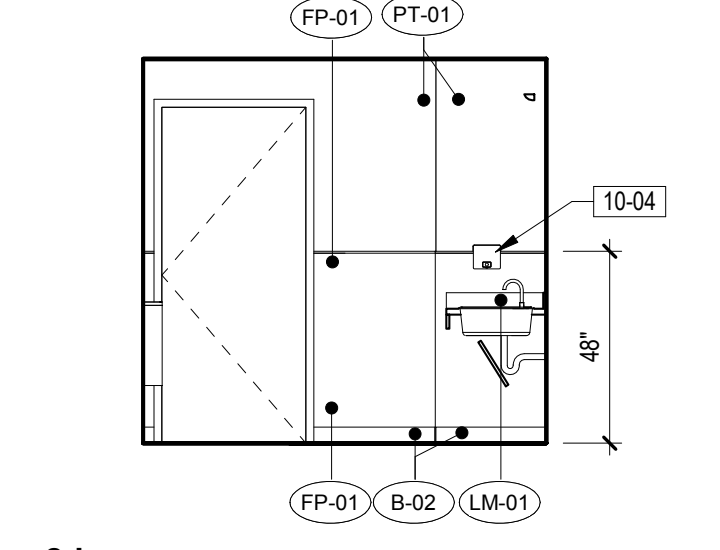
2a



2b



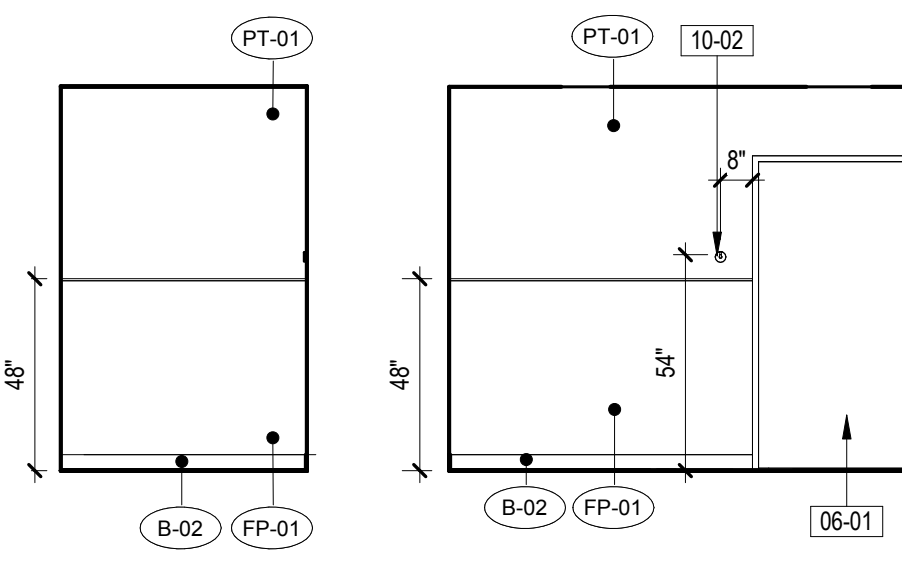
2c



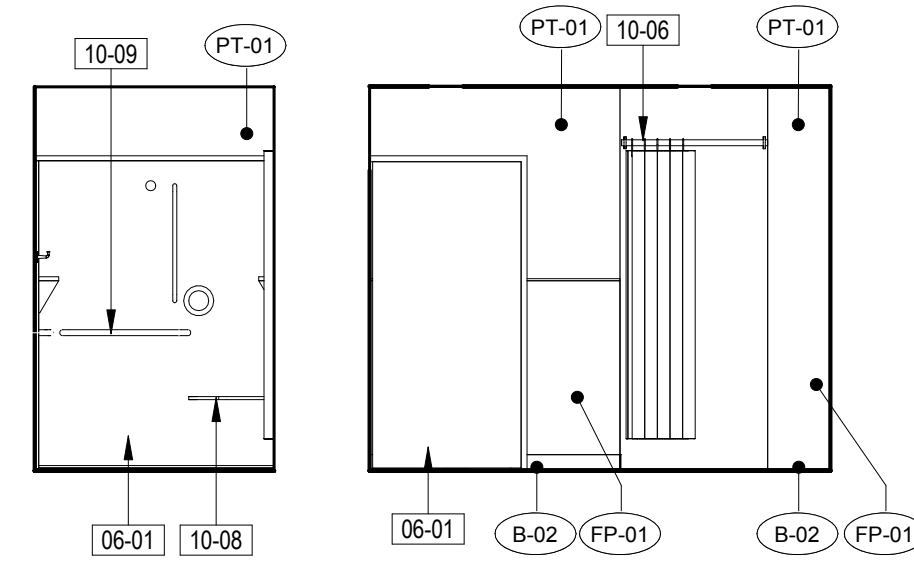
2d

2 WOMEN'S RESTROOM- ELEVATIONS

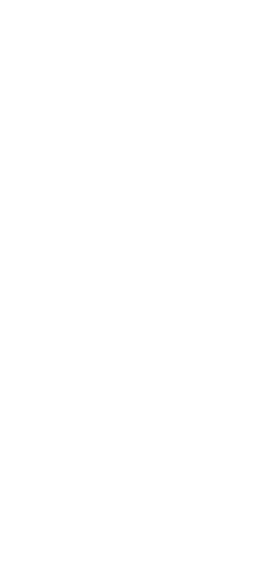
1/4" = 1'-0"



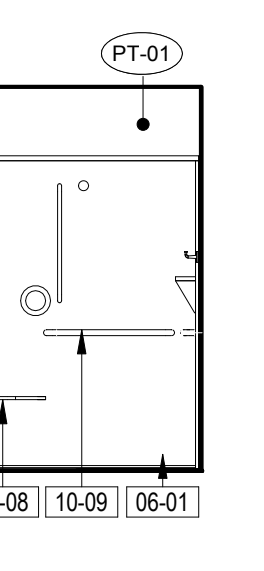
3a



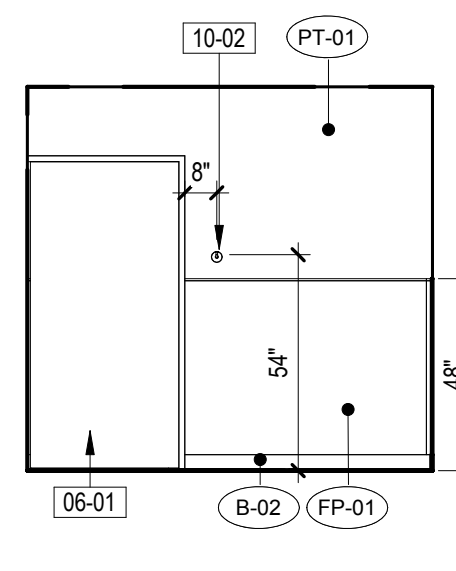
3b



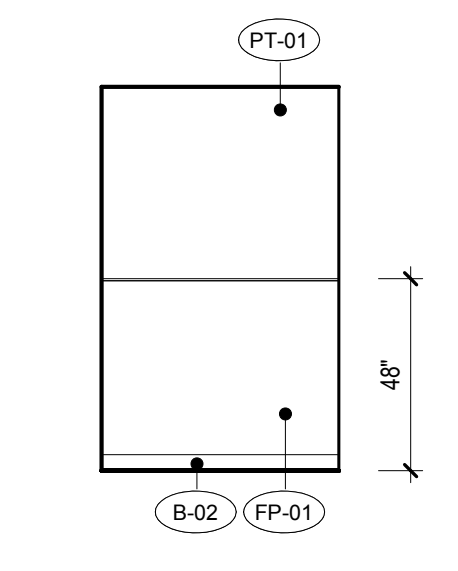
3c



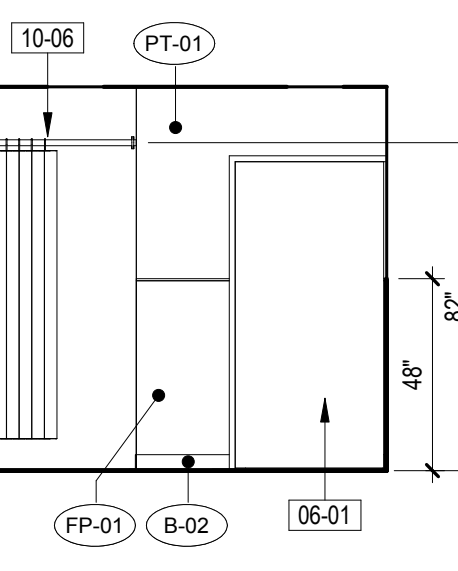
3d



4a



4b



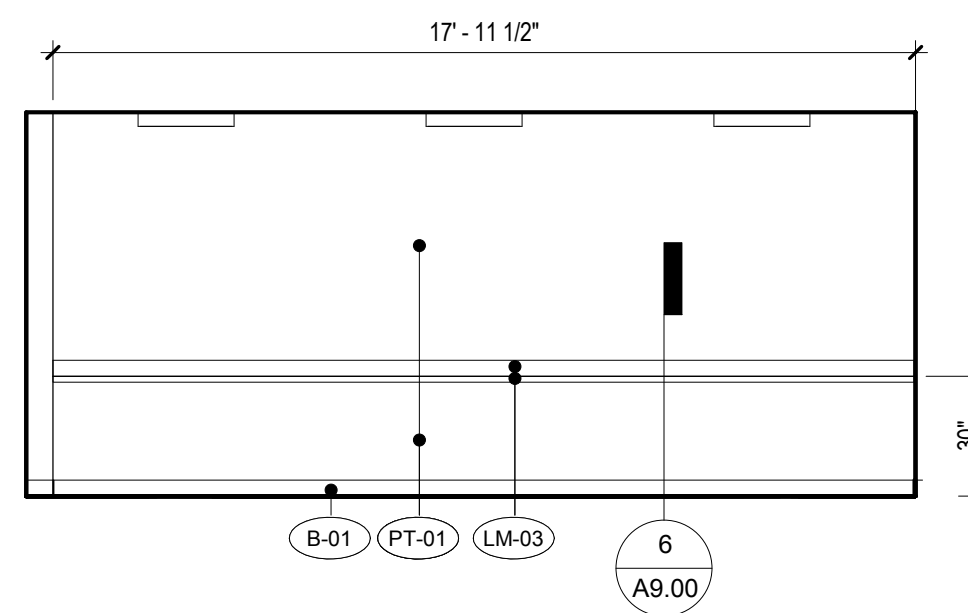
4c



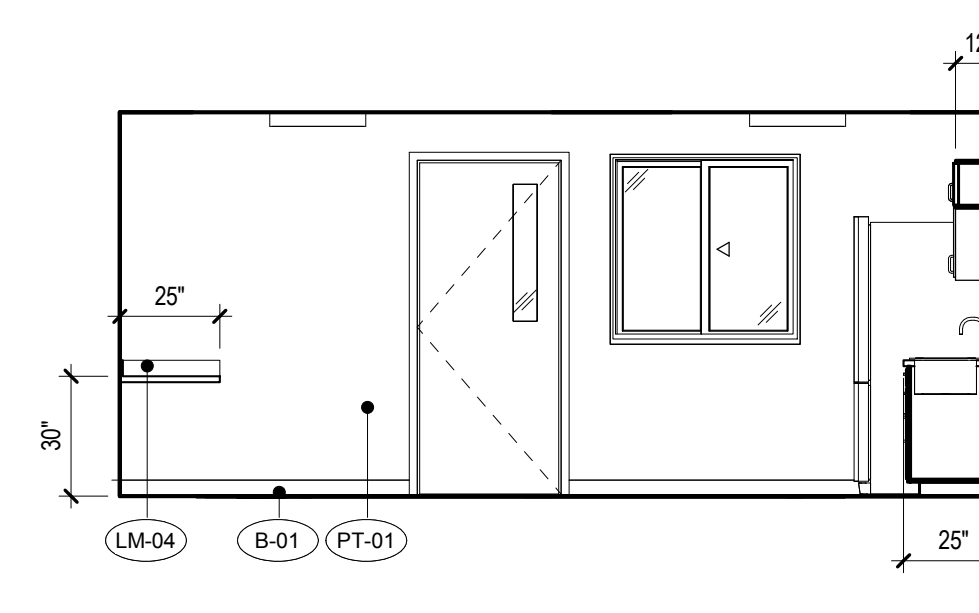
4d

3 MEN'S SHOWER ELEVATIONS

1/4" = 1'-0"



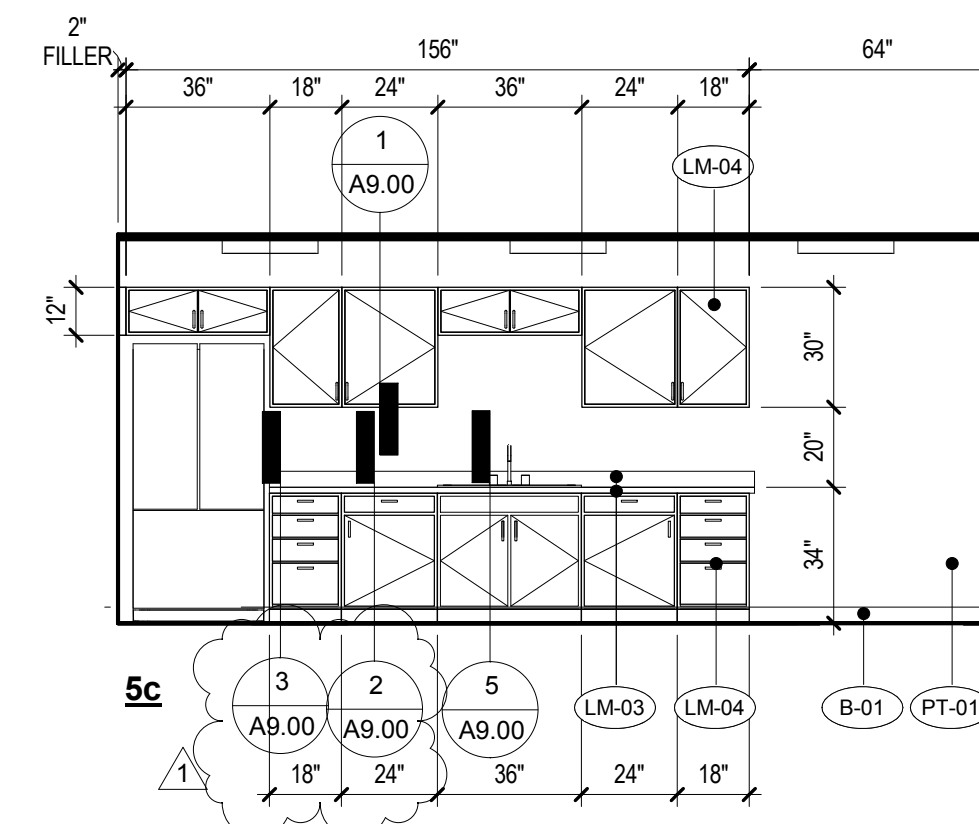
5a



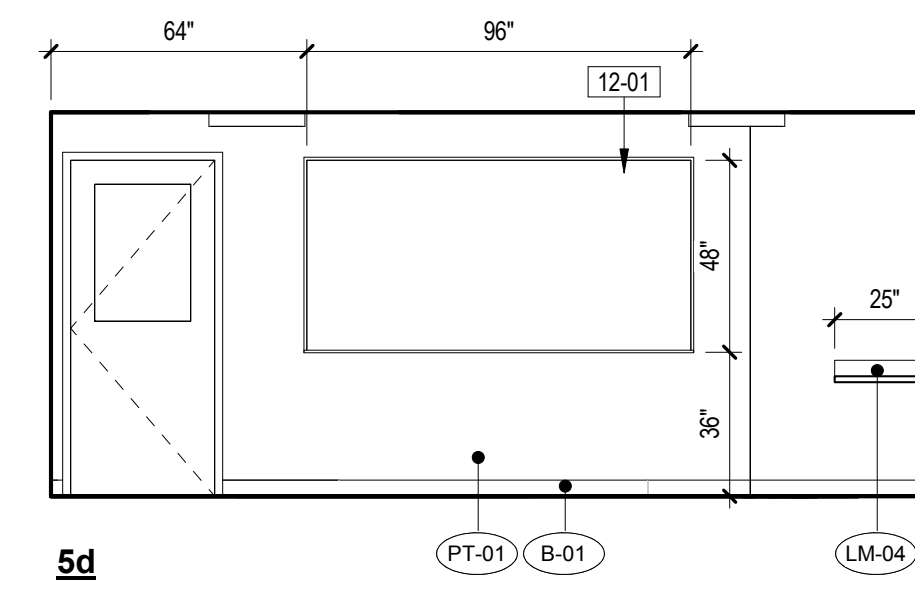
5b

4 WOMEN'S SHOWER ELEVATIONS

1/4" = 1'-0"



5c



5d

5 STAFF ROOM ELEVATIONS

1/4" = 1'-0"



CONTRACTOR TBD

NEW PROJECT:
SHOP BUILDING
AND OFFICES
820 TOWER ROAD, MOLALLA, OR 97038

Issue: CD SET
Date: 2/18/19

Revision: 1 Addendum 1
Date: 4/19/19

INTERIOR
ELEVATIONS

A7.00